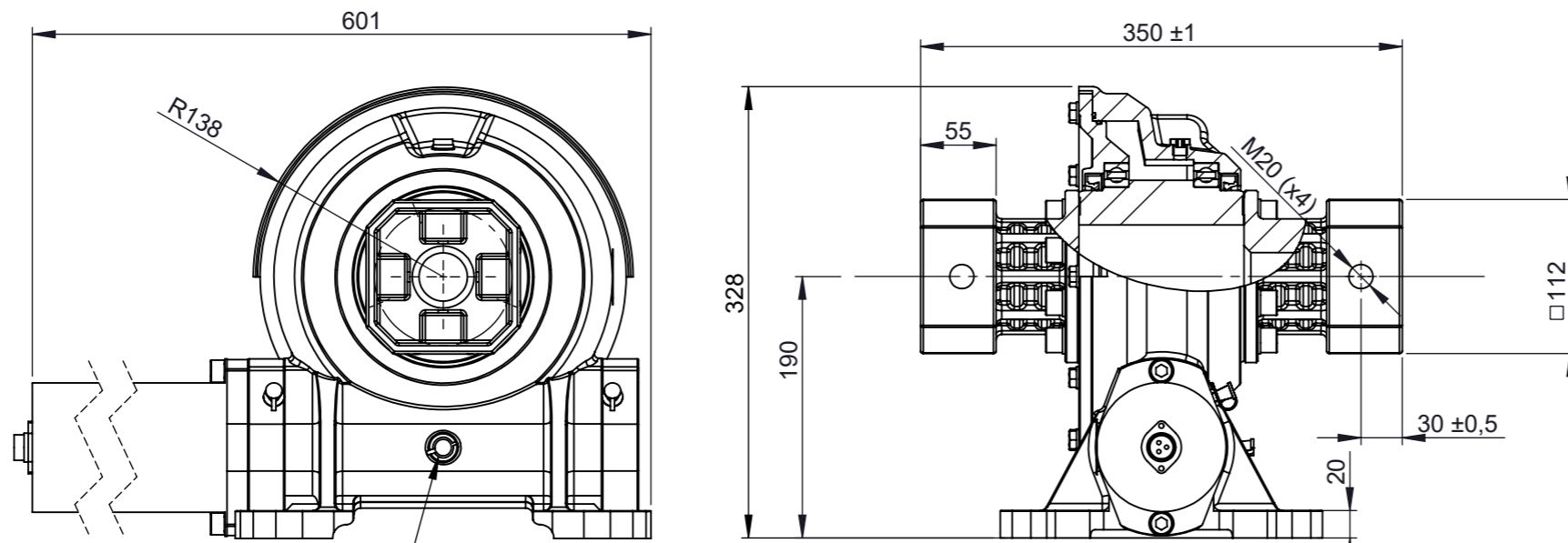
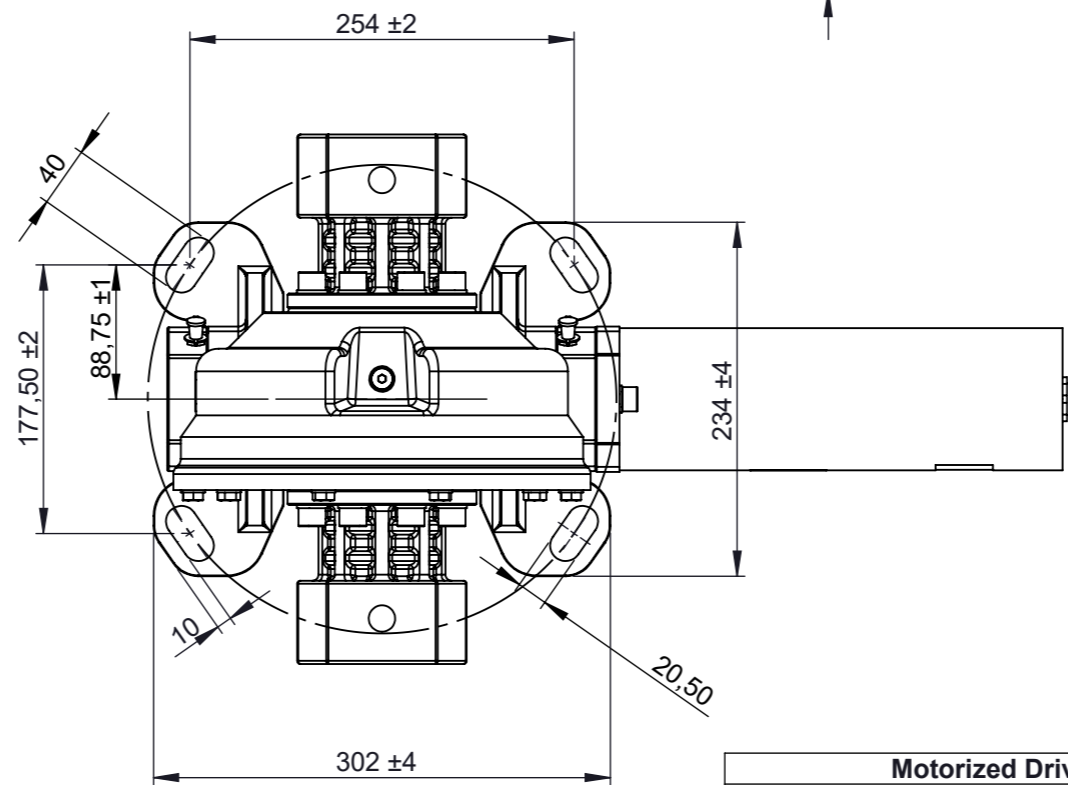
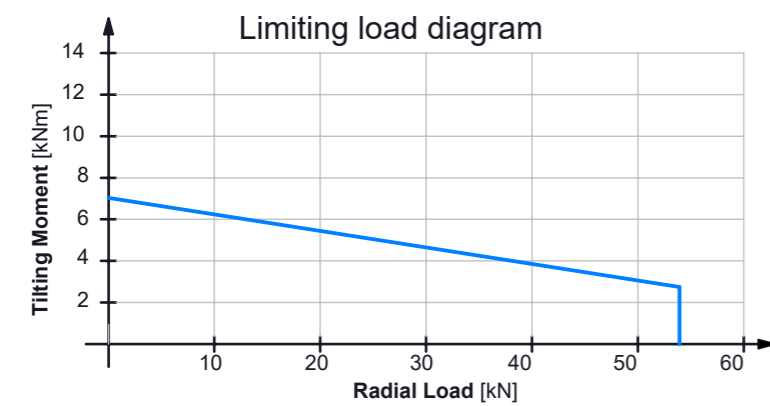
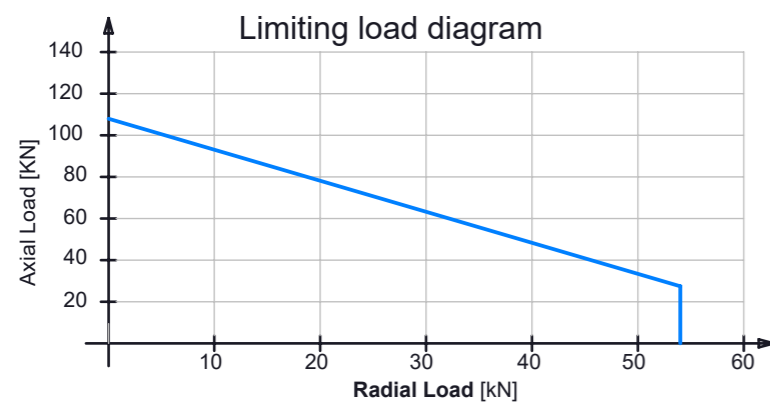
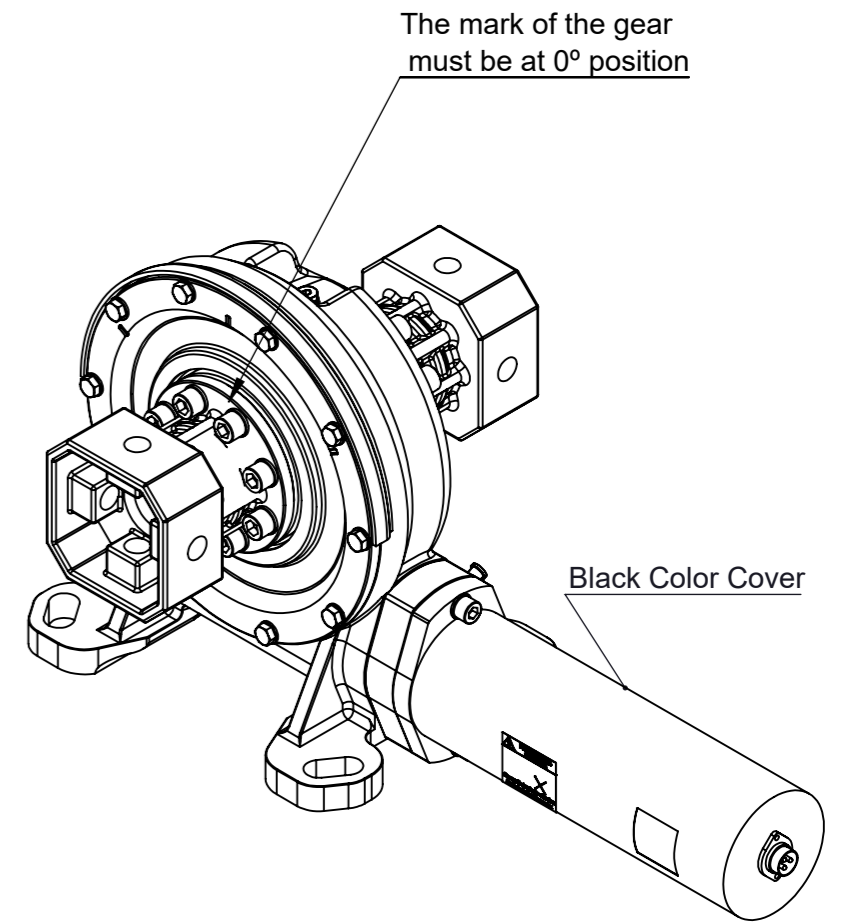


Female connector - SP2110/S3
Supplied by electrical control supplier



Grease Nipple (x3)



*DC motor able to work at short-time movements for regular operation. Eventually, DC motor could work at continuous operation for 7 minutes maximum.

** DC Motor is able to work at 550Nm output torque maximum - without safety factors.

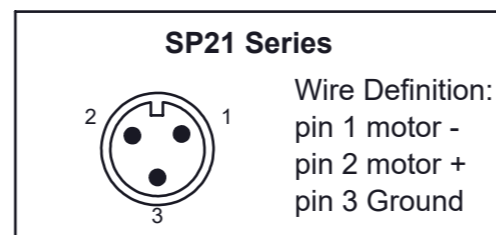
Motorized Drive	
TVR200-Z35 + XD053	
Rated output torque	6300 Nm
Rated output speed	0,03 rpm (±10%)
Max. output torque	9240Nm
Speed at Max. torque	0,01 rpm (±10%)
Current at Max. Torque	<9.5A**

Motor		
XD053		
Voltage (VDC)		24
No Load	Current (A)	<1
	Speed (rpm)	2.5 ± 10%
Rated	Torque (Nm)	300
	Current (A)	<6
	Speed (rpm)	2 ± 10%
Max. Torque (Nm)		440
Max current (A)		<8

Main performance parameters

Gear Ratio	60:1	Holding torque	34kNm
Efficiency	35% ±5%	Tilting moment	7kNm
Self-locking gear	Yes	Radial static load	54kN
Backlash clearance	<0,20°	Axial static load	108kN
Maximum torque	13.000Nm	Radial dinamic load	49kN
Nominal torque	6.500Nm	Axial dinamic load	98kN

Notes: All slew drive are pre-lubricated. Maximum output speed 1rpm.
All screws DACROMET treated. Standard paint for corrosion category C3-M-Green RAL 6018



Note: This slewing drive is only able to turn 120° due to the mechanical stop on the upper part of the drive

REV.	DESCRIPTION	DATE	NAME	CHECK
B	Bom Update	13/01/21	F.V	T.D
A	First Design	17/12/20	F.C	T.D

The information contained in this document is property of TGBgroup. It is not allowable any copy or reproduction of this certificated copy with the original not under control. TGBgroup reserve changes of manufacture without previous advice and duty of communication.

>1200	±1,2	<p>TGB GROUP INFO@TGBGROUP.ES WWW.TGBGROUP.ES</p>	
>400.0 ~ 1200	±0,8		
>120.0 ~ 400.0	±0,5		
>30.0 ~ 120.0	±0,3		
>6.0 ~ 30.0	±0,2		
>3.0 ~ 6.0	±0,1		
>0.3 ~ 3.0	±0,1	Reference	
Range of sizes	Unstated tolerance	TVR200-Z35.20-RM+XD053+XF012	
Units: mm		Denomination	Sales Drawing
MATERIAL: -		WEIGHT [kg]: 56.55	NUM. PIECES: 1
SCALE: 1:5		SIZE: A3	SHEET: 1 of 1